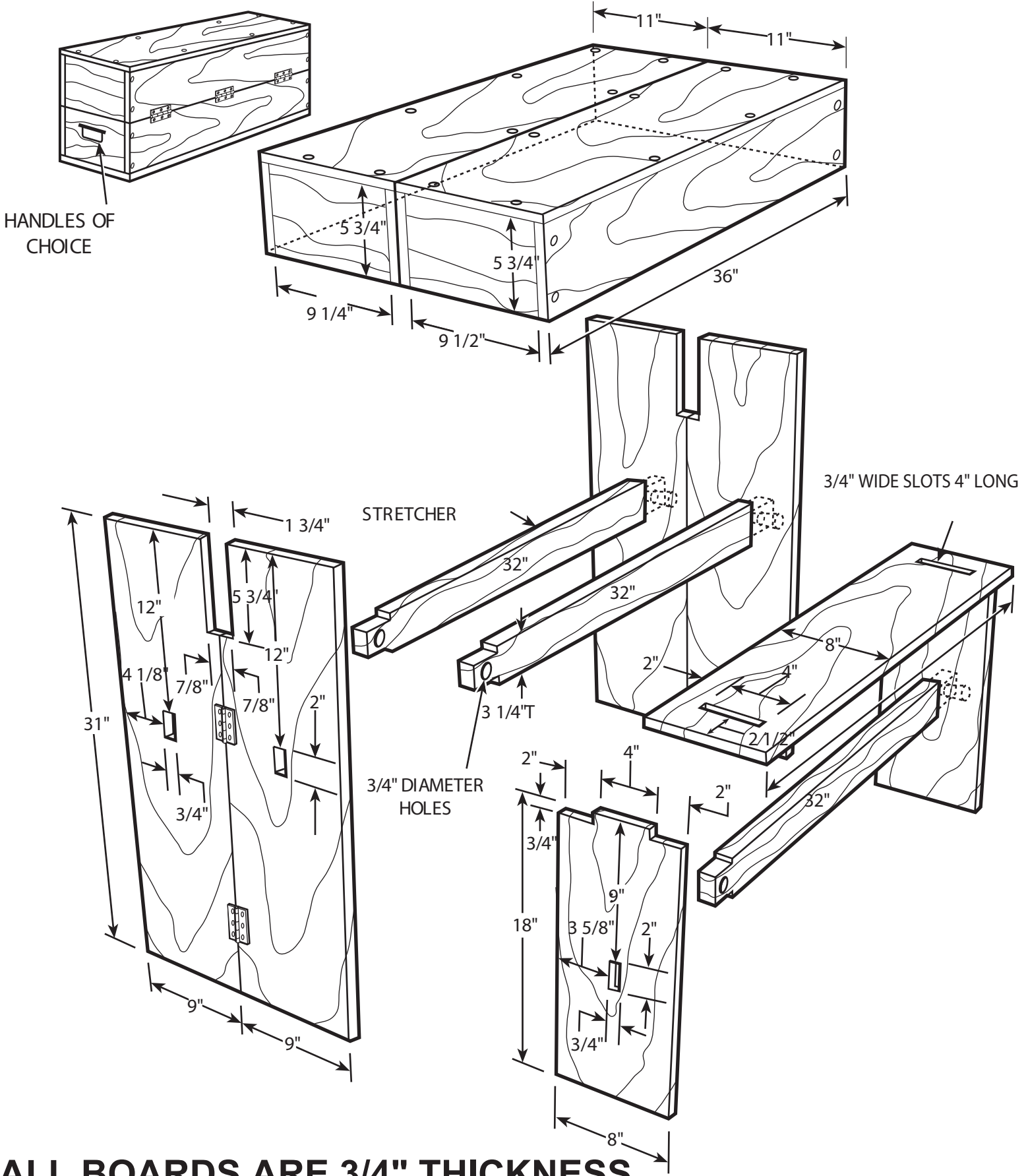
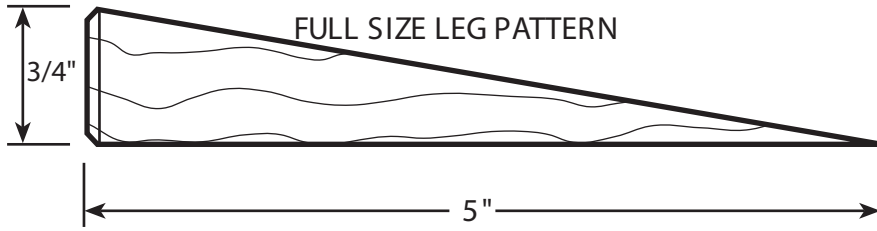


PIONEER TABLE/BENCH



ALL BOARDS ARE 3/4" THICKNESS

PIONEER TABLE/BENCH



This plan is designed to help you make the Kitchen Cabinet. Enjoy your work! Read understand and follow all product use instructions. Follow all tool and product guidelines and safety directions. Work safely!

Recommended Tools and Materials

Standard shop tools:

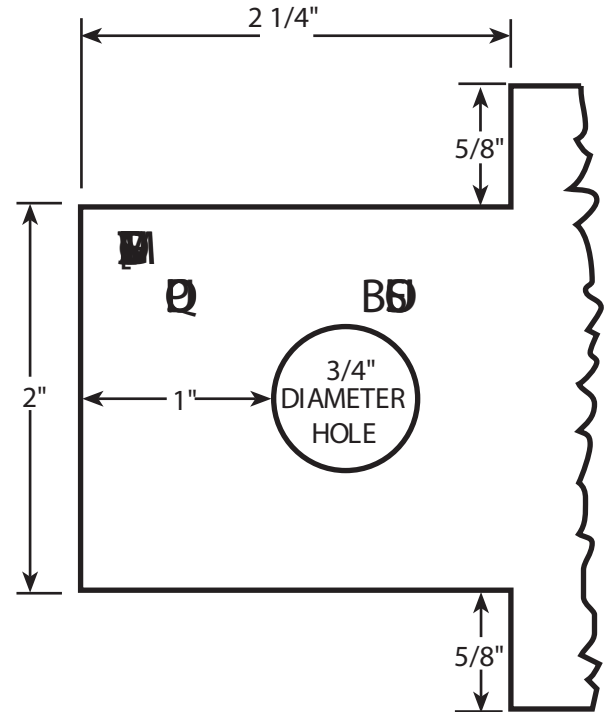
- * Safety glasses & all safety gear, as required by the instruction manuals for the tools and materials you use.
- * Face shield
- * Dust collector
- * Layout & measuring tools & dial calipers
- * Table saw with carbide-tipped combination blade
- * Jointer
- * Band saw with 1/2" wide, four teeth per inch blade
- * Drill press or hand held electric drill
- * Standard drill bits with counter sinking collars
- * Radial arm saw with 60 tooth carbide crosscut blade
- * Sanding center (6" belt , 12" disc)
- * 12" portable planer
- * General purpose clamps
- * Hand scrapers, hand planes (block, #4, #7)
- * Chrome vanadium hand chisels (beveled edge and mortise)
- * Portable power tools :random orbital sanders with dust collection, finishing sanders, standard electric and cordless drills, and bayonet (jig) saw, 1 1/2 h.p. router,

Special Purpose Tools

- * Pocket cutter
- * Biscuit joiner
- * 3/4" spindle shaper with two speed (1 1/2 h.p.)
- * Shaper stile and rail cutters (matched)
- * Table saw stack dado saw blades (carbide)

Materials:

- * #10 x 1 1/4" and 1 1/2" brass wood screws
- * 3/8" wood screw plugs
- * Eight fully threaded pocket joint screws
- * Four 2 1/2" x 1" brass plated steel hinges with screws
- * Finish of choice.
- * Two magnetic door catches
- * Eight shelf brackets
- * Two door pulls of choice



Board list:

Black cherry: The heartwood is rich red to rusty brown and will darken in color over time. This "darkening" is caused by the wood's reaction to light. A very beautiful, dense and durable wood.

All boards planed to 1" thickness

3/4" cherry veneered plywood is used to build the carcass

1/4" cherry veneered plywood (30 1/2" x 33 1/16") for the back of the cabinet

Carcass (all high grade 3/4" cherry plywood)

- * Two sides 10" wide x 34 1/4" long
- * One top 10" x 29 13/16"
- * One bottom 10" x 29 5/16"
- * Two shelves 9 7/8" x 28 5/8"

Face Frame (solid cherry planed to 1" thickness)

- * Two rails 3" x 24 7/16"
- * Two stiles 3" x 34 1/4"

Doors (frame and raised panel)

- * Two door panels 6 3/4" x 23"
- * Four stiles 3" x 28 5/16"
- * Four rails 3" x 6 7/8"